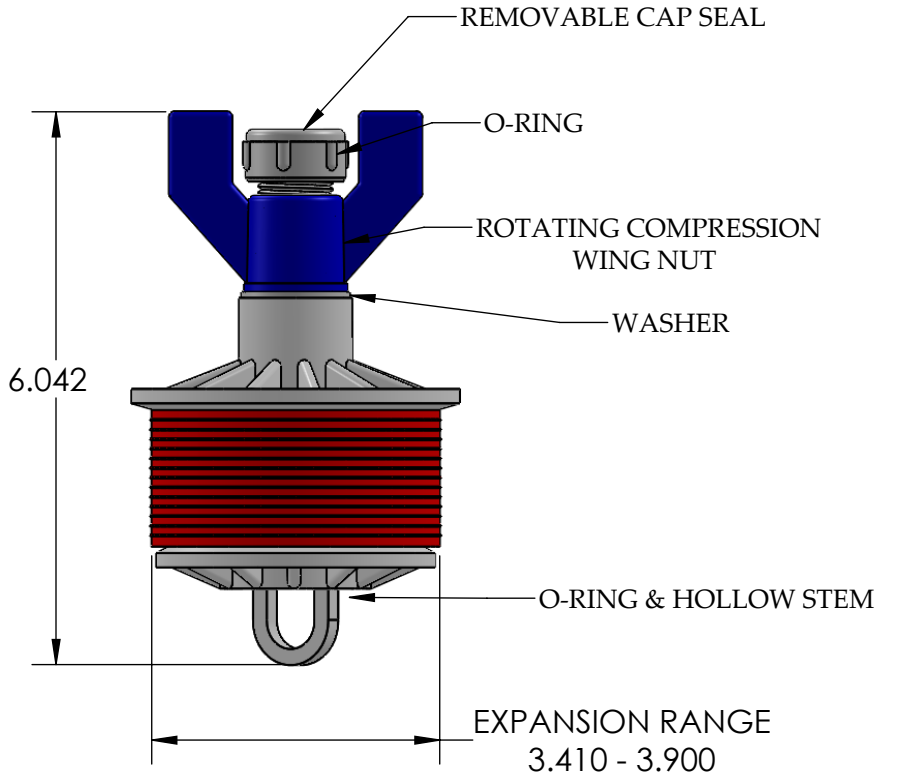
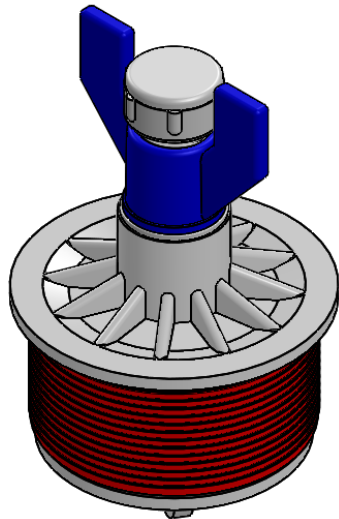



REV	CHANGE	DATE
B	IMAGE ENHANCEMENT	09/21/15



**PROPRIETARY AND CONFIDENTIAL**  
 THE INFORMATION CONTAINED IN THIS DRAWING IS THE SOLE PROPERTY OF CALAM MFG. ANY REPRODUCTION IN PART OR AS A WHOLE WITHOUT THE WRITTEN PERMISSION OF CALAM MFG. IS PROHIBITED.

		UNLESS OTHERWISE SPECIFIED:		NAME	DATE	 <b>TITLE:</b> 3 1/2" KWIKIE HOLLOW STEM
		DIMENSIONS ARE IN INCHES	DRAWN	HUIZAR	06/02/14	
		TOLERANCES: FRACTIONAL ± 1/64 ANGULAR: 0.125° TWO PLACE DECIMAL ±0.010 THREE PLACE DECIMAL ±0.005	CHECKED	F.GRO	06/02/14	
		INTERPRET GEOMETRIC TOLERANCING PER:	ENG APPR.			
		MATERIAL SEE BOM	MFG APPR.			SIZE
NEXT ASSY	USED ON	FINISH	Q.A.			DWG. NO.
APPLICATION		DO NOT SCALE DRAWING	COMMENTS:			5120-35
						REV
						B
						SCALE:
						WEIGHT:
						SHEET 1 OF 1

5

4

3

2

1